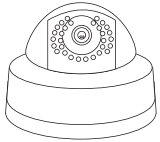




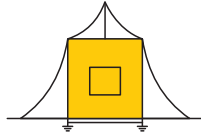
DC POWER

DC电源高集成度、开路失效防护方案

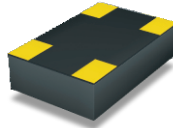
High integration and Fail-safe protecting solutions of DC power



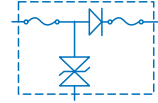
Camera



LPZ1



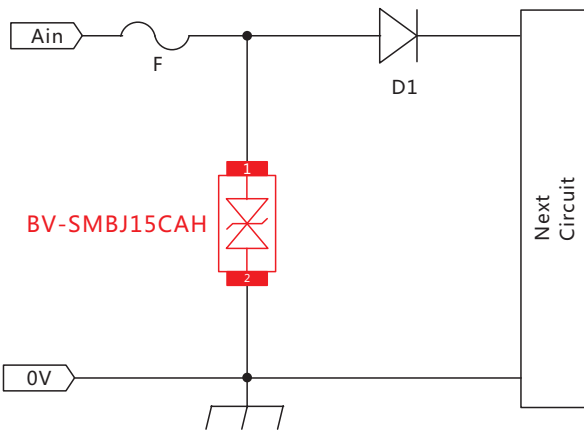
BVF0200AX5-MD4



1.2/50-8/20 μ s 1KV-500A
1-7A Failsafe $V_{BR} \geq 22V$

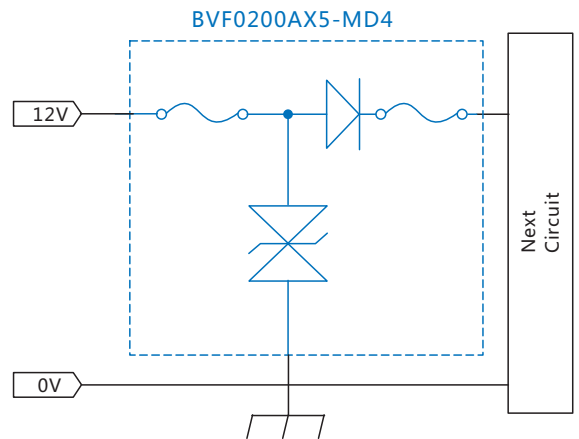
行业传统方案

Industrial traditional solutions



槟城创新方案

Bencent's innovative solutions



Off state Voltage

V_{DRM}
(V)
 I_{DRM}
25°C(μ A)
Max

20

1

Breakdown Voltage

V_{BR}
(V)
Max
 I_R
(mA)

24.5

1

Clamp Voltage

V_C
(V)
Max
@ I_{PP}
(A)

41

500

Surge
Waveform
(μ s)

8/20

Size
 $L \times W \times H$
(mm)

5.0×3.2×1.25



深圳市槟城电子有限公司
Shenzhen Bencent Electronics Co.,Ltd.
+86-755-26515027/26515060-808
www.bencent.com.cn