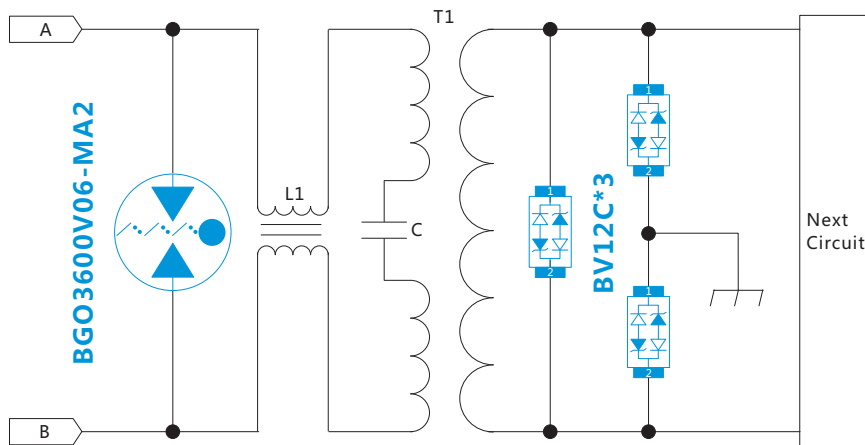
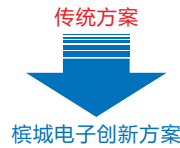
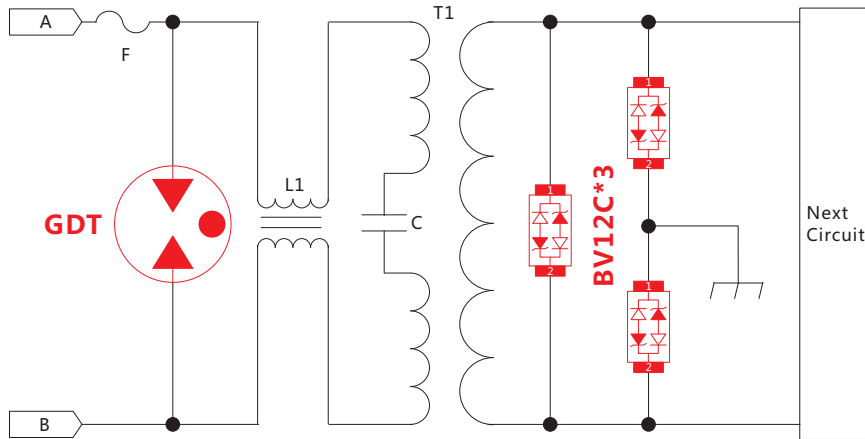


# xDSL端口开路失效GDT

## Open-circuit failure GDT for xDSL port

### 方案图/Solution



### 防护等级/Surge level

- GR1089
- 10/700 $\mu$ s-5/320 $\mu$ s
- CM/DM:6KV 150A Failsafe

### 优势/Features:

- 应用更加简单；  
The application is much simpler.
- 开路失效；  
Failsafe.
- 解决传统方案中保险丝无法兼顾雷击与过流保护的问题。  
Solution to solve both over-voltage and over-current protection.

### 产品参数/Datasheet

Part Number	DC Breakdown Voltage( $V_{BR}$ ) 100V/s (V)	Tolerance of $V_{BR}$ (V)	Impulse Spark-over Voltage 1KV/ $\mu$ s (V)	Impulse Discharge Current 8/20 $\mu$ s (KA)	Capacitance $C_o$ (pF) 0.5VDC@1MHz	Size L*W*H (mm)
BGO3600V06-MA2	360	$\geq 360$	99% $\leq 1050$	6KV@10/700 $\mu$ S	$\leq 1.0$	4.2x3.5x3.5