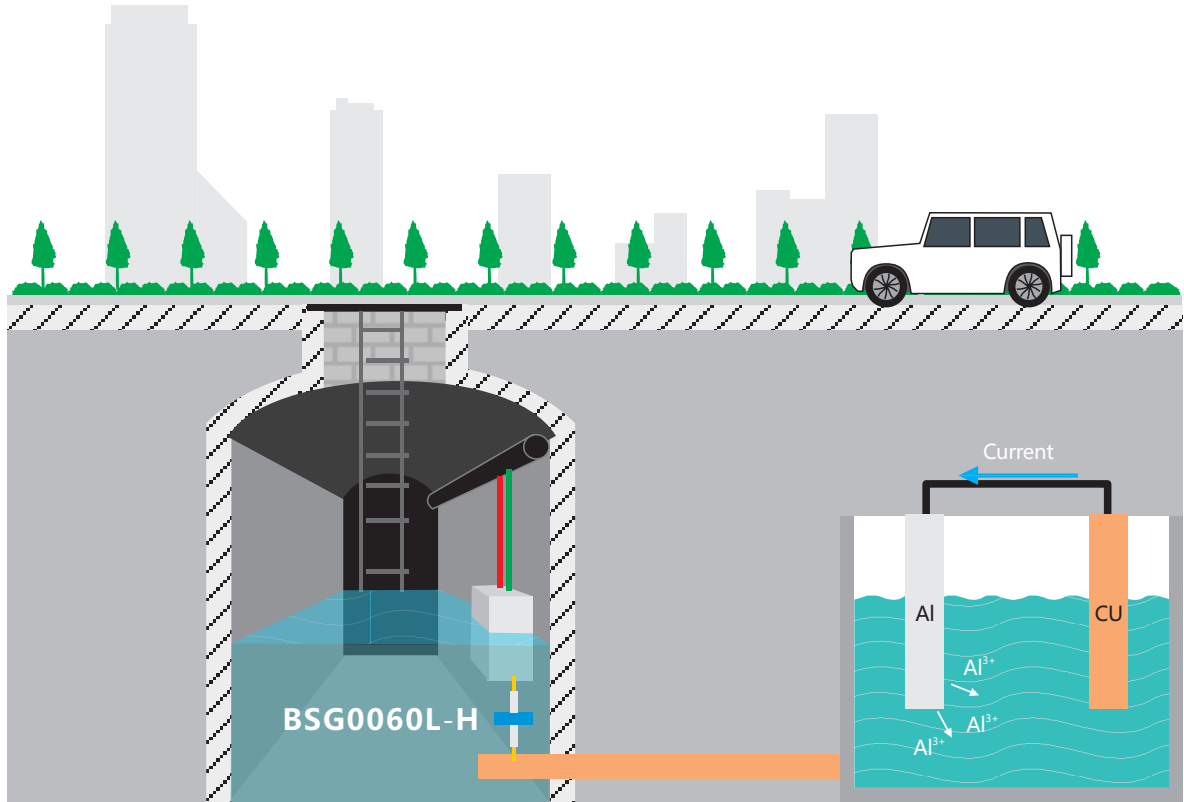




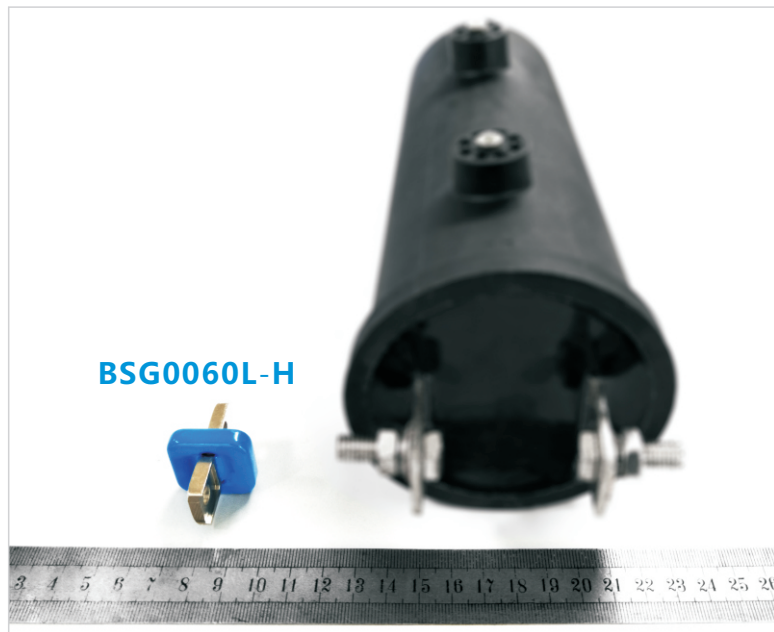
# 大通流防腐接地TSS

## High surge current TSS used in GND cable to avoid the galvanic corrosion of metal

### 方案图/Solution



该产品能够有效阻断电偶电流，减少金属壳体的电偶腐蚀。  
The product can stop the galvanic current to decrease the galvanic corrosion of metal.



### 防护等级/Surge level

- ITU-T K56
- 8/20 $\mu$ s
- CM:20KA

### 优势/Features:

- 高达20KA浪涌性能，占用空间极小，保护设备免遭腐蚀。  
Up to 20kA Surge Capability in Minimal Footprint.

### 产品参数/Datasheet

Part Number	Off state Voltage		Switching Voltage		On state Voltage		Holding Current $I_H$ (mA)	Capacitance $C_o$ (pF) 2V@1MHz Max	Surge Waveform ( $\mu$ s)	Surge peak	Size L*W*H (mm)
	$V_{DRM}$ (V)	$I_D$ ( $\mu$ A) Max	$V_s$ (V) Max	$I_s$ (mA)	$V_T$ (V) Max	$I_T$ (A)					
BSG0060L-H	6	5	11	800	4	2.2	$\geq 90$	/	8/20 $\mu$ s	20KA	40.0x27.0x27.0